



[-> to the product](#)



Wedge wire filter AS110

MTS & APIC wedge wire filters are self-cleaning filter units which, with their robust stainless steel construction and user-friendly design, are also ideally suited for demanding operating conditions.

The filter is composed of the following parts:

- Upper housing part with inlet, outlet and gear motor
- Lower housing part with drain
- Scraper blade unit with wedge wire element

The filtration process takes place through the filter element from the outside to the inside, with the solids accumulating on the outside. The gear motor rotates the cylindrical wedge wire element and the applied scraper blade scrapes the solids from the outer surface.

These solids then settle in the lower part of the filter housing and are discharged to the outside by the system pressure inside the housing when the drain valve is opened.

Discharge of solids can generally be accomplished in three ways:

- Manually: By opening and closing a ball valve  
-> *Timer control TA-01B*
- Automatic: By a time-controlled valve  
-> *Automatic control AS-E4-01*
- Automatic: With an electronic control system with differential pressure monitoring, which controls a drain valve  
-> *Automatic control AS-E4-01*

(Valve and control variants are not included in the standard scope of delivery.)

The lower part of the housing can be removed after opening the clamp screws and then provides direct access to the wedge wire element.

## Main features

- No filterelement disposal
- The product waste is kept to a minimum
- Easy dismounting of the wedge wire element
- Self-cleaning with no interruption of production process
- Suitable for almost all fluids
- High resistance to differential pressure

## Technical data

Material housing:	Stainless steel 1.4404/ 1.4571		
Material filter element:	Stainless steel 1.4404		
Material scraper blade:	Stainless steel 1.4310		
Gaskets/ O-Rings:	Viton (others on demand), PTFE		
Micron rating:	25µm to 3000µm		
Working pressure:	0 to +10 bar (16 bar on demand)		
Working temperature:	+10°C to +80°C (others on demand)		
Gear drive:	Worm gear motor		
Mains connection:	400 V, 50 Hz (others on demand)		
Safety class:	IP65 (optional with ATEX)		
Flow rate:	<u>AS70</u> Max. 13 m <sup>3</sup> /h <sup>1</sup>	<u>AS110</u> Max. 25 m <sup>3</sup> /h <sup>1</sup>	<u>AS175</u> Max. 35 m <sup>3</sup> /h <sup>1</sup>

Manufactured in accordance with 2014/68/EU category I, module A

<sup>1</sup>based on water at 100 µm

## Applications

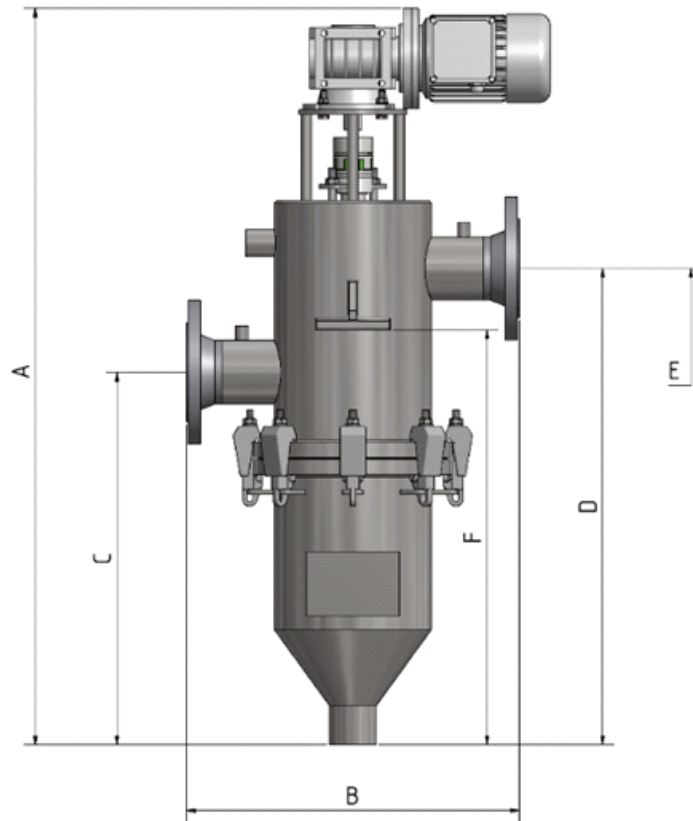
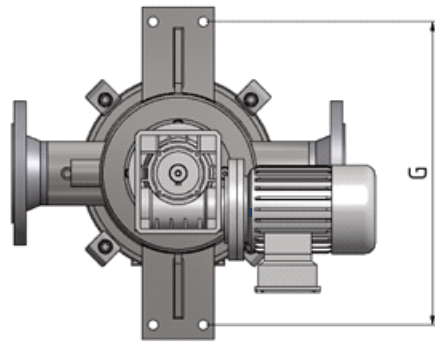
- Adhesives
- Tar products
- Solvents
- Oil
- Emulsions
- Plasticizers
- Polyurethan
- Paints and varnishes
- Printer colours
- Underbody protection



Scraper blade unit AS175

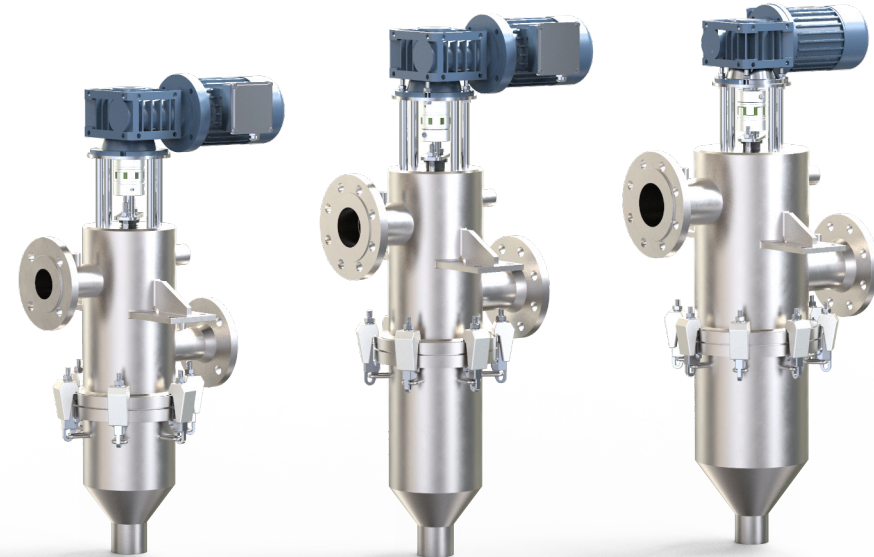


[-> to the product](#)



### Dimensions

Type	A	B	C	D	E	F	G
AS70	865	365	370	500	300	435	335
AS110	965	365	470	600	400	535	335
AS175	1030	465	520	670	400	580	420



AS70  
Volume: 10,5l

AS110  
Volume: 12,5l

AS175  
Volume: 22,5l

### Order information

AS

Flange

70	DN50
110	DN65
175	DN80

Order example: AS175